



# M4

## Concept Explanation Lithium Mining SUV

# M4



Title	Value
Total Power	8x16 kW
Max. Speed	80 km/h
Flat Range	120-360 km
Payload Weight	1.1 Tons
Max. Weight	2.8 Tons
Seats, #	2+2+4
Width, mm	1 900
Hight, mm	2 100
Length, mm	5 200

# M4



# Features, General



- 80% Less Maintenance Sleep
- 50% Less Vibration vs Diesels
- 80% Less Noise vs Diesels
- 30% Less Investment
- 60% Less Vibration



# Features, Special



	Special Features	Scheme	Inves.	Energy	Safety	Time	Comfort	Cost	Maint.
1	8 In-Wheel Motors		✓	✓	✓	✓	✓	✓	✓
2	FOC Inverters		✓	✓	✓	-	-	✓	✓
3	High Cycle Battery		-	-	✓	✓	-	-	✓
4	Swappable Battery		-	-	✓	-	-	✓	✓
5	Small Wheels		-	✓	✓	-	✓	-	✓
6	Trailer Available		-	✓	-	-	-	✓	✓
7	X by Wire		✓	✓	✓	✓	✓	-	✓
	<b>Description</b>		Lower initial Investment	Lower Energy consumption in journey	Higher Safety for passengers journey	Lower Time for journey or charging	Higher Comfort for passengers	Lower Cost/ passenger/ km	Lower Maintenance cost or time

# Specs, M4



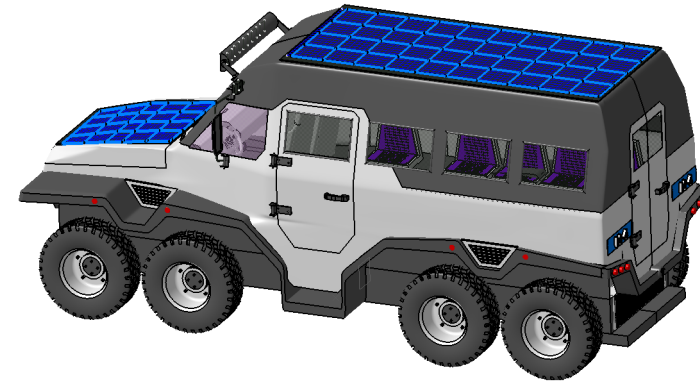
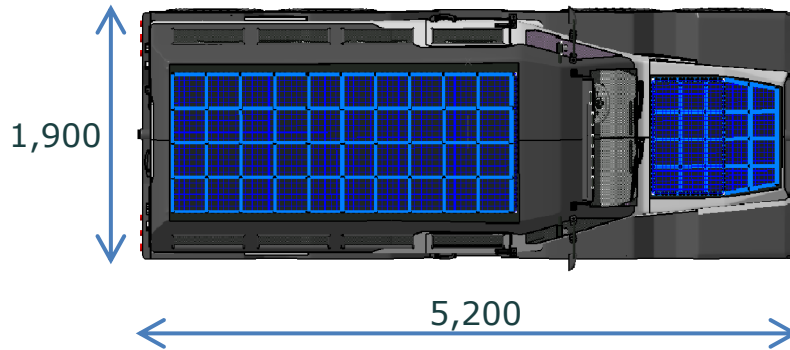
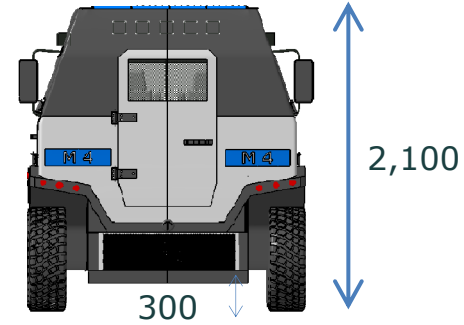
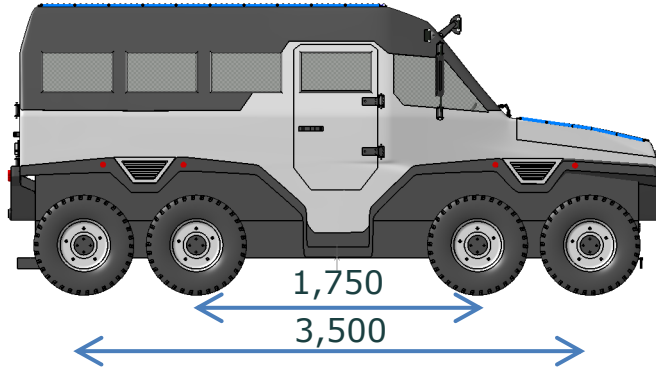
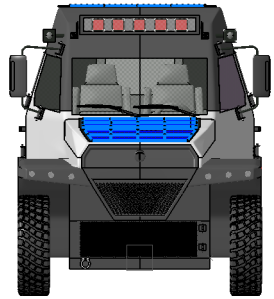
Title	M3
Total Power	8x16 kW
Max. Speed	80 km/h
Flat Range	120, Max 360 km
Battery Box	2, Max 6
Empty Weight	1.2 Tons
Battery Weight	0.4, Max 1.1 Tons
Payload Weight	1.2, to 0.5 Tons
Max. Weight	2.8 Tons
Seats, #	2+2+4
Width, mm	1 900
Hight, mm	2 100
Length, mm	5 200

# Specs, M4 Hub Drive



Hub Drive	
Phase / Voltage	3 / 400 V
Size	φ320x130
Con. Max. Power	16 kW
40s Max. Power	25 kW
Con. Max. Torque	400 Nm
40s Max. Torque	630 Nm
Tire Max. RPM	700 RPM
Tire, Offroad	235/70R16

# Specs, M4 Dimensions





# Options, M4



FCode	FAbb	Title	€	Description
112	SER	Safe Events Recording	1 000	Records all the CAN data for last 10 hours of driving
132	BSD	Blind Spot Detection	2 000	Get blind spot obstacle distance from LiDAR & brake on emergency
133	CCS	Cruise Control System	2 000	LiDAR base cruise control
134	GPS	Global Positioning System	2 000	Global Positioning System
135	WCS	Wifi Cameras System	2 000	6 Cameras on Wi-Fi
221	OBD	On Board Diagnosis	1 000	Show the result of diagnosis to the car owner
351	TPS	Tire Pressure System	2 000	Monitoring & warning of 4 tires pressure
421	ATC	Active Traction Control	1 000	Control the traction of each wheel on any sliding condition
422	HSA	Hill Start Assist	1 000	Help the driver to start climbing the hill without rolling back
423	CRC	Cornering Roll Control	2 000	Control the roll angle on cornering
424	CTC	Cornering Torque Control	2 000	Control the wheels torque on cornering
431	BFC	Brake Force Control	2 000	Improve brake performance in normal conditions
432	ABS	Anti-Lock Brake System	2 000	Improve brake performance in emergency conditions
433	ASC	Active Stability Control	2 000	Improve cornering performance in high speeds by wheels braking
434	APB	Auto Parking Brake	2 000	Electronic Parking Brake
514	BB3	Battery Box 4	6 000	3x4 Battery Pack, 30 kWh, 5 kW onboard charger, 260 kg
631	EPA	Extra Protection Airbag	2 000	Extra Protection Airbags for driver or passengers
632	ADL	Auto Dynamic Lighting	1 000	Interior multi color LED bands with controllers
633	IWN	In-car WIFI Network	1 000	Low range in-car Wi-Fi with 802.11 standard
635	SPC	Solar Panel Charger	500	1 m2 Solar Panel with 300 W power
637	MWC	Mobile Wireless Charger	500	10 W with Qi standard
702	SMA	Security Mobile Alert	500	Alert to owner's mobile phone on any security problem
703	NFC	Near Field Com	1 000	Use NFC protocol on driver phone for doors opening and gear change
706	HUD	Head Up Display	2 000	Simple HUD
707	DLC	Dynamic Light Control	1 000	Control main lamps with surround light sensor